

Combining style, functionality and value. Aspen Bench is a modular desking system designed to meet the demands of today's modern offices.

Its adaptable design supports in-line, back to back and meeting table layouts, ensuring seamless integration into a variety of office plans.

Designed to balance simplicity with practicality, Aspen Bench delivers an uncluttered aesthetic that creates a sense of order and efficiency.



## Features

### Standard Features

- 25mm MFC rectangular tops
- Shadow gap between top and frame
- Scalloped tops
- Slim Steel frame with mitre joint end legs
- Inset Steel mid legs
- Levelling feet

### Optional Extras

- Screens
- Monitor arms
- Cable baskets
- Cable spine
- Power modules

### Performance Standards

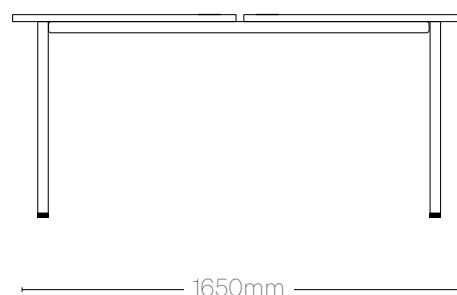
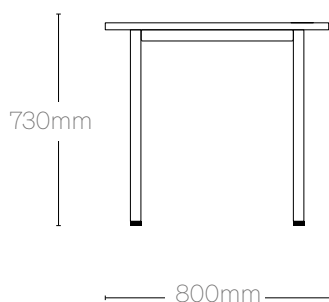
This product has been designed to conform to the following standards and has been tested for type approval.

- BS EN 527-2: 2016 + A1:2019
- BS EN 527-1:2011
- BS EN ISO 9241-5:1999

## Dimensions

### In-Line

### Back to Back



**In-Line**

Rectangular Tops  
Widths. 1200 / 1400 / 1600 / 1800 mm  
Depth. 800mm



1 Person



2 Person



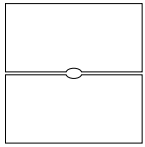
3 Person



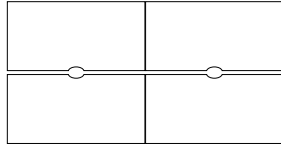
4 Person

**Back to Back**

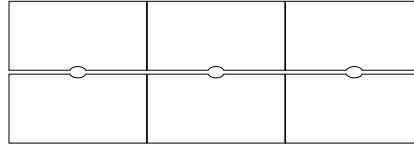
Rectangular Tops  
Widths. 1200 / 1400 / 1600 / 1800 mm  
Depth. 1650mm



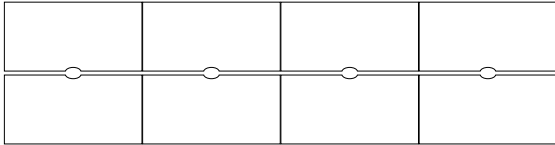
2 Person



4 Person



6 Person



8 Person

**Finishes**

MFC Top Finishes



White



Strata Oak



Winter Oak



Urban Maple



Greige Castello  
Oak



Dark Rockford  
Hickory



Light Grey

Metalwork:



Black



White



Silver