

Aspen



Bench / Wood / Height Adjustable

Aspen

Simple desking for the modern workplace

The Aspen desking range combines functional design with outstanding value, making it an ideal solution for workplaces of all sizes.

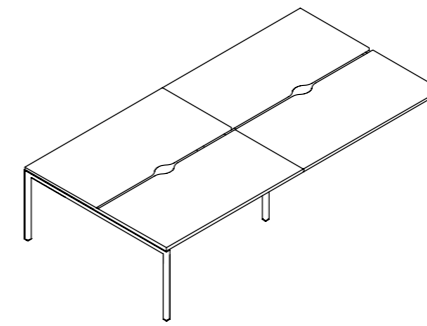
Whether it's a single desk or a setup for eight, Aspen delivers flexibility and seamless integration for everyone.

With versatile configurations—including in-line, back to back, or meeting table arrangements—Aspen balances style and practicality to create efficient, modern workspaces.

01

ASPEN BENCH & MEETING TABLES

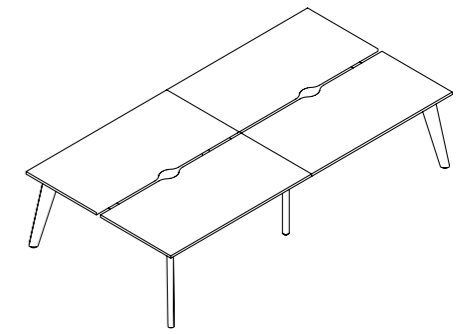
A sleek and visually appealing bench system and meeting tables, perfect for collaborative environments.



02

ASPEN WOOD & MEETING TABLES

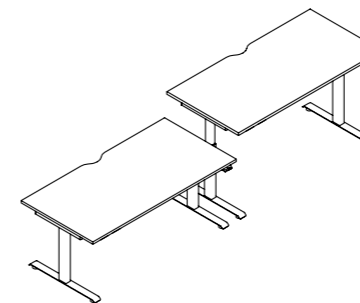
Elegant wood end legs provide a softer, natural aesthetic adding character to a workspace.



03

ASPEN HEIGHT ADJUSTABLE

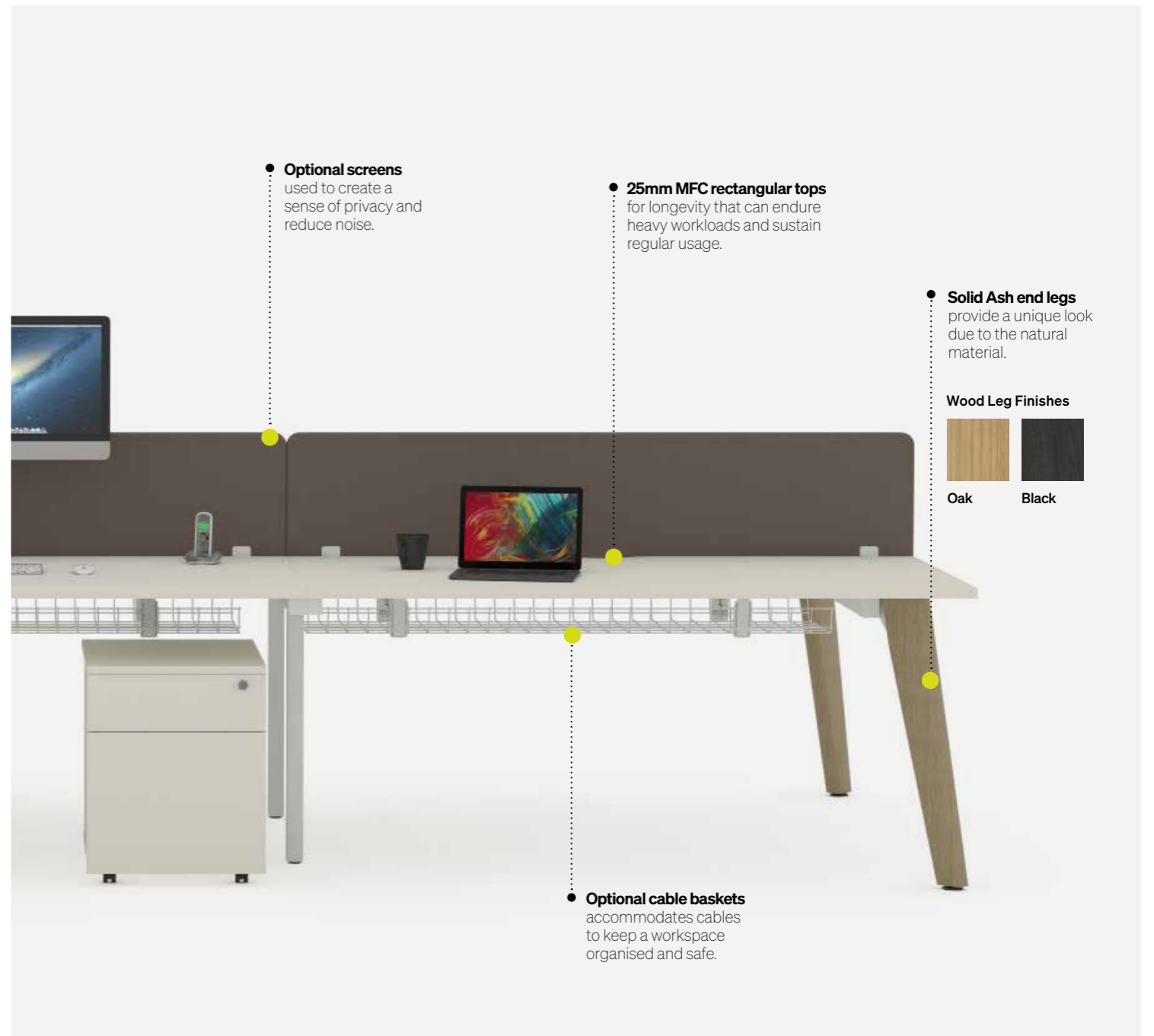
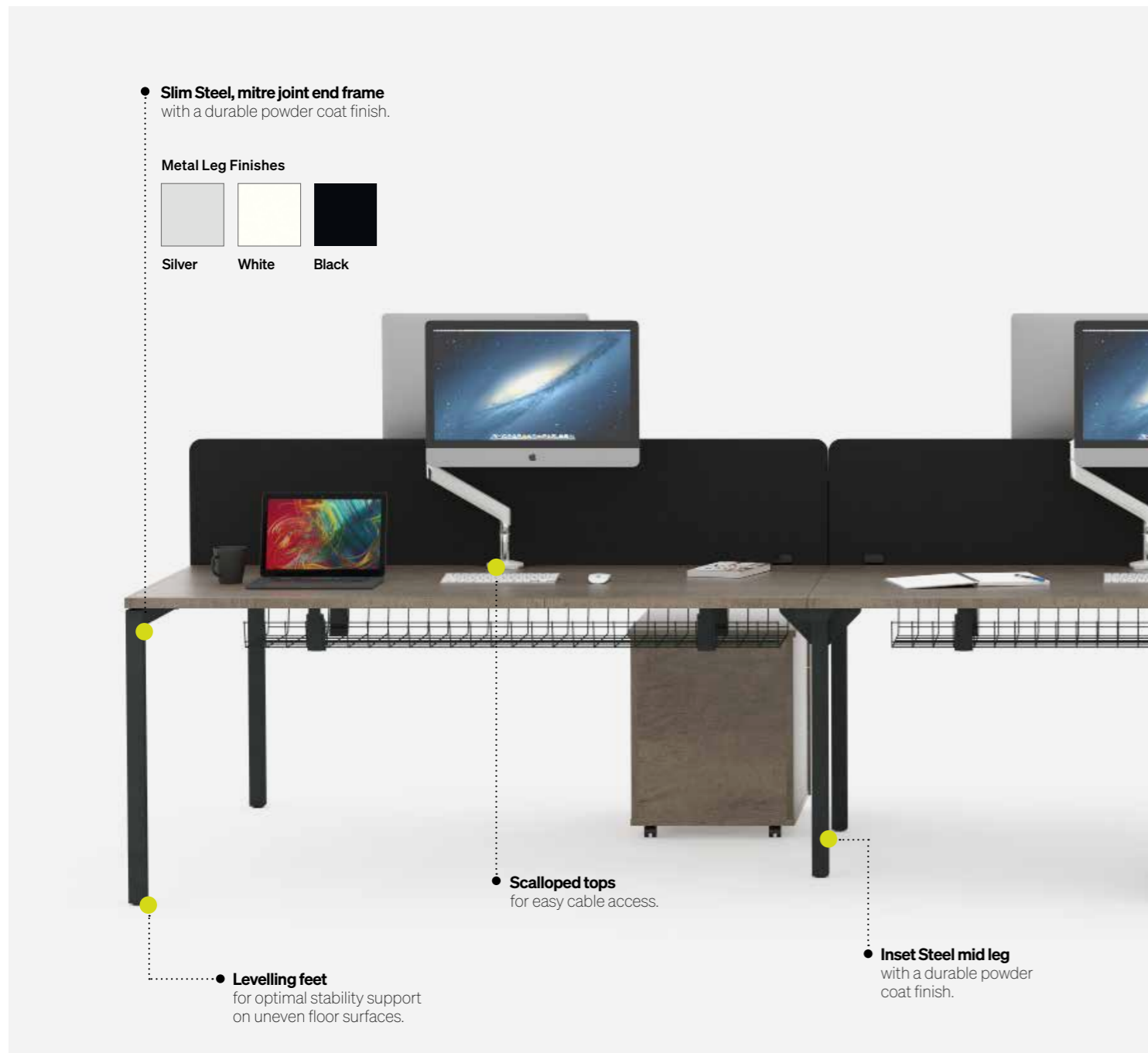
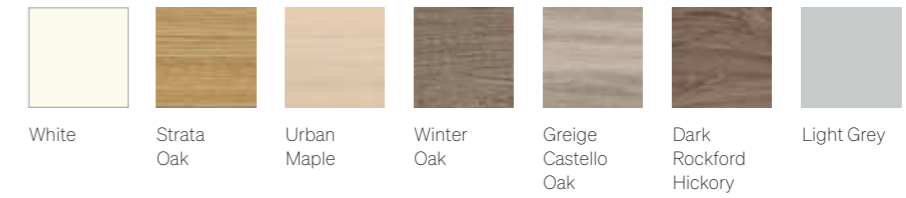
Supporting users to switch between sitting and standing, seamlessly promoting comfort and movement.



Get imagery, CAD Blocks and all assets for the full Aspen range by visiting the Toraseen website

Same . But . *Different*

The same trusted design, the same practical features – Just a different style.
The choice depends on the desired aesthetic, offering everyone the flexibility to create the perfect look for their everyday workspace.



01



Aspen Bench

Combining style, functionality and value, Aspen Bench is a modular desking system designed to meet the demands of today's modern offices. Its adaptable design supports in-line, back to back, and meeting table layouts, ensuring seamless integration into a variety of office plans. Designed to balance simplicity with practicality, Aspen Bench delivers an uncluttered aesthetic that creates a sense of order and efficiency.



Showcasing both function and style.
Clean lines, a subtle desktop shadow gap and strong, steel mitre joint end frames are combined for long-lasting performance without compromising on aesthetics.



A variety of options
From cable management, privacy screens or the selection of finishes – all designed to complement the minimalist design.

Aspen Bench Meeting Tables

Essential for team collaboration, brainstorming and decision-making in the office. Providing a dedicated space for teams to gather, share ideas and work through projects helping to create a more efficient and connected workplace.



Power

Providing easy access to in-surface power, supporting seamless collaboration, allowing teams to stay connected and productive without interruption.

Power: 2 x Power and USB A + C

02

Aspen Wood

Aspen Wood brings a touch of sophistication to modern office design with its elegant, solid ash wood-leg frame. Perfectly blending natural aesthetics with contemporary functionality, Aspen Wood complements a variety of workspaces, from collaborative zones to private offices.

Its clean lines and refined finish create a warm and inviting atmosphere while maintaining a professional edge. Combining timeless style with everyday practicality, Aspen Wood offers a versatile and durable solution that enhances productivity and elevates the overall workspace experience.



Aspen Wood Meeting Tables

Designed to bring people together. Providing a sturdy yet stylish platform for meetings, brainstorming sessions, or team discussions. With its clean lines and timeless design, the Aspen Wood Meeting Tables enhance any environment, adding character without compromising on functionality or durability.



Power

Charging devices, powering laptops, or connecting equipment for presentations. The in-surface power eliminates the need for trailing cables, creating a more organised meeting space.

Power: 2 x Power and USB A + C





Aspen Height Adjustable

A height adjustable desking solution designed to create an uncomplicated user experience. Performance isn't about more - it's about smarter.

Aspen Height Adjustable allows users to easily switch between sitting and standing, promoting movement and comfort throughout the workday.



Easy adjustment.
A dual electric motor ensures a steady combined elevation, whilst the simple two button controller allows the user to effortlessly adjust from sit to stand.



Stability and durability.
The design of the telescopic steel legs ensures the desk remains stable between the height range of 650 – 1300mm

